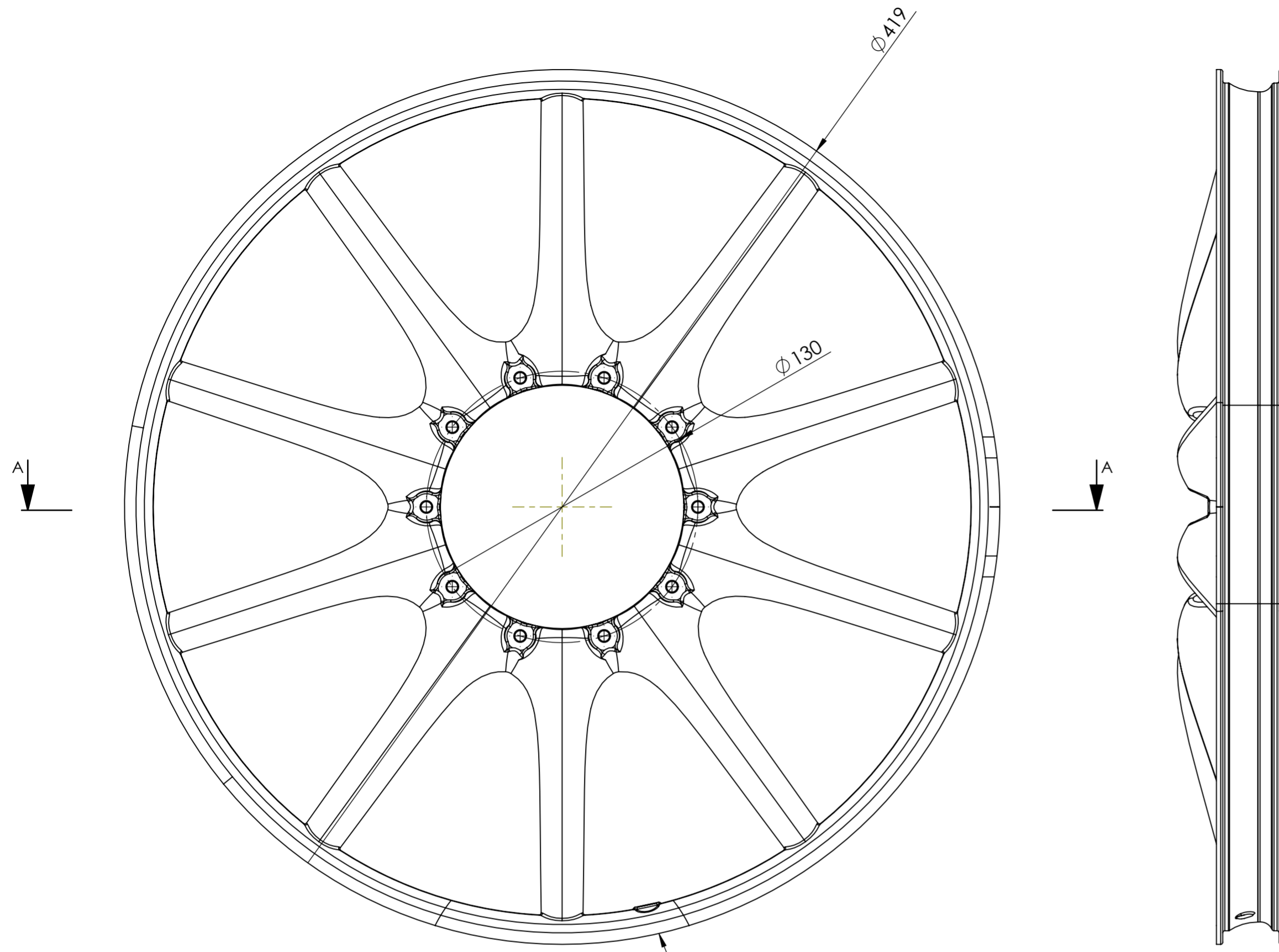
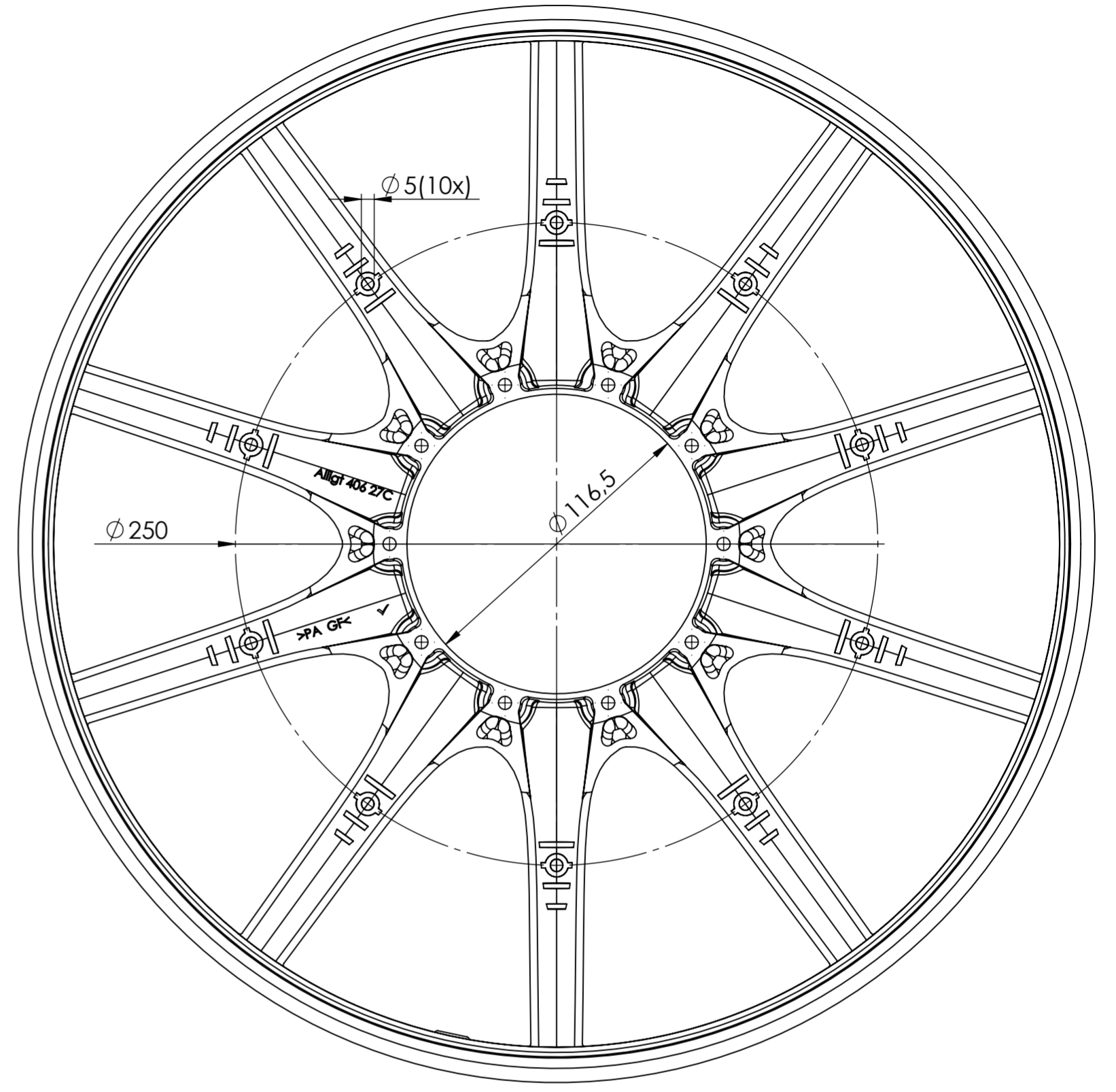
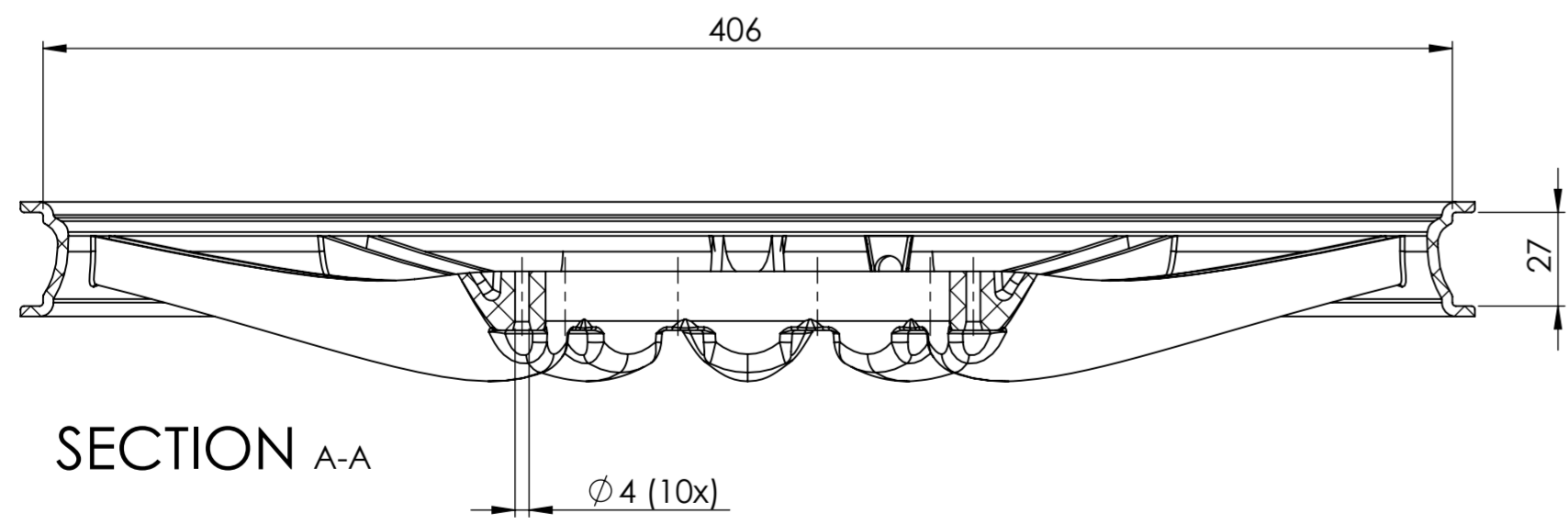




REVISIONS		
REV.	DATE	DESCRIPTION



Valve hole Ø 8 mm. Other sizes possible as a special



Dimensions in millimeters. Do not scale drawing. 3D files are leading. Unless otherwise specified R0 may be R0.2
 3D file name = name + revision (without extension)

Alligt CBW1 B			 Bol Design Babberichseweg 77 6905JS Zevenaar The Netherlands www.boldesign.nl
Description			
Material:	PA 66 GF60	Drawn	JB
Weight (estm):	805 gram	Drawing	20-11-2020
Status:	For production	3D file	20-11-2020
General Tolerance:			
remarks:	Property of Alligt company. All rights reserved. Eigendom van Fa. Alligt. Alle rechten voorbehouden		Finish View Other
			 SCALE:1:2 A2 SHEET 1 OF 1